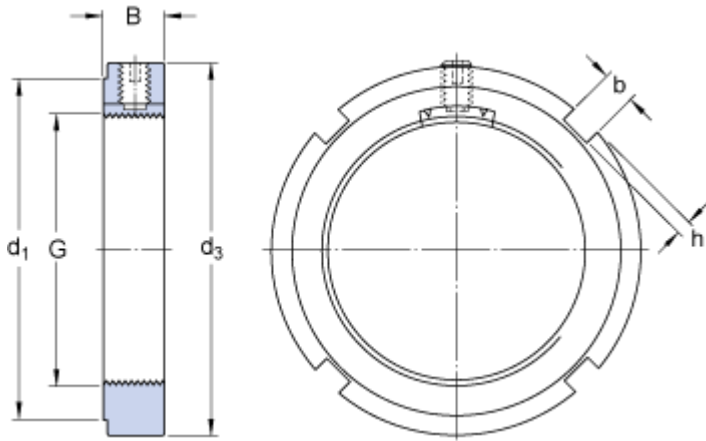


# KMK 1

## Dimensions



G	M 12x1	
d <sub>3</sub>	22	mm
B	9	mm
d <sub>1</sub>	18	mm
b	3	mm
h	2	mm

## Calculation data

Axial static load carrying capacity	11.8	kN
-------------------------------------	------	----

## Mass

Mass lock nut	0.018	kg
---------------	-------	----

## Mounting information

Appropriate spanner	HN 1	
Grub (set) screw size	M 5	
Recommended grub screw tightening torque	4	N·m